





GARAGE DOOR OPERATORS

Centurion Systems offers automation solutions for all the major garage door types, including tip-up, sectional and roll-up. Our garage door operators are whisper-quiet, easy to install and, above all else, supremely reliable.



SDO4 GARAGE DOOR OPERATOR

We know that arriving home is more than just some automatic action or daily ritual. It's an experience that's charged with emotion – the feeling of seeing your loved ones, your pets, the big-screen TV and all the other comforts that you miss during the day.

With the **SDO4**, that experience begins the moment that you open your garage door.

With whisper-quiet operation and movement that's smoother than a jazz song, the **SDO4** garage door operator for tip-up and sectional doors lets you know you're home.



MAIN FEATURES

Mechanical Features

- Ease of installation, adjustment and setup
- Extended battery life for your peace of mind
- Smooth, whisper-quiet installation
- The **SDO4** switches seamlessly between mains and battery power in the event of a power outage
- Suitable for virtually any size domestic garage door with the T10 for smaller doors up to 12 square metres, or automate your bigger door with the powerful T12 model
- 24V geared DC motor provides enough power to move even the largest door quietly and reliably
- Built-in anti-crushing circuitry causing the door to stop and reverse if an obstruction is detected, helping to prevent serious damage or injury
- Manual Override which can be disengaged or re-engaged in any position
- Can be electronically locked to even prevent a learned-in remote control from operating the door, increasing security during holidays
- Activate or deactivate the Autoclose feature at the press of a button
- Onboard CENTURION code-hopping multichannel receiver with selective add and delete
- Effortlessly switch between sectional and tip-up doors, and toggling between the two using the intuitive LED display automatically and intelligently
- Door Service Monitor keeping an eye on things and a courtesy lamp which flashes and a buzzer which sounds when your door springs are worn-out and need maintenance
- Courtesy Light which is activated during operation or switch it on and off as needed, using one of the Wireless Wall Switch or remote control buttons
- Intelligent template learning feature. You can learn all the buttons on your four-button remote control or Wireless Wall Switch in a set configuration in a matter of seconds!
- Energy-saving Sleep Mode technology reaching a record low power consumption of 0.5W

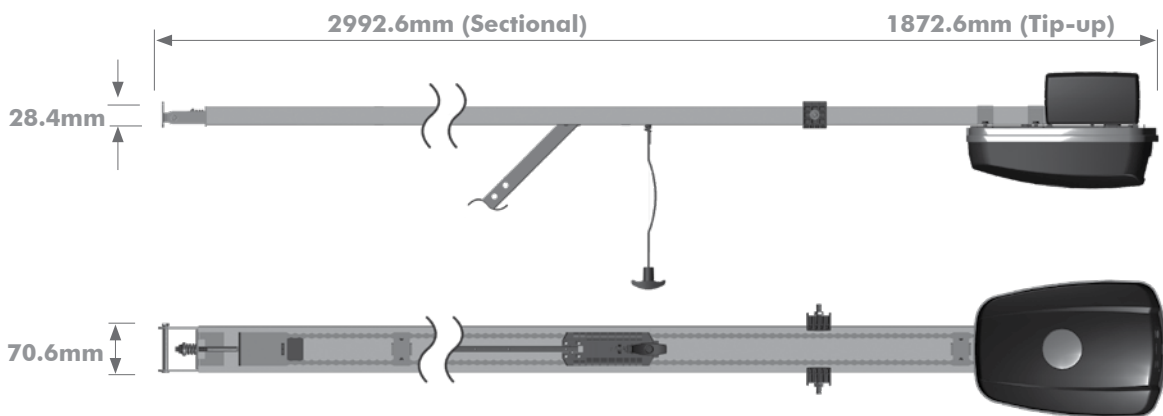
TECHNICAL SPECIFICATIONS

Technical Data	T10	T12
Input voltage ¹	220-230V AC @ 50/60Hz1	220-230V AC @ 50/60Hz1
Motor voltage	24V DC	24V DC
Motor power supply ² - rated	80W DC	100W DC
Motor supply	Battery supply 2 x 3.4Ah 24V DC	Battery supply 2 x 3.4Ah 24V DC
Maximum door width	6.5 metres	6.5 metres
Maximum door area	12 metres ²	15 metres ²
Maximum lifting capacity	1000N	1200N
Operations in standby mode	12 to 30, dependent on door size, weight, height and duration of power failure	12 to 30, dependent on door size, weight, height and duration of power failure
Opener travel speed	Tip-up 80mm/sec. Sectional 140mm/sec with fully-charged batteries	Tip-up 80mm/sec. Sectional 140mm/sec with fully-charged batteries
Door travel adjustment	Physical end-stops	Physical end-stops
Safety obstruction force system	Built-in menu	Built-in menu
Light	LED 2W	LED 2W
Autoclose ³	Internal menu option	Internal menu option
Infrared safety beams	Internal menu option	Internal menu option
Onboard receiver type	Code-hopping single channel	Code-hopping single channel
Receiver code storage capacity	20 transmitters	20 transmitters

1. Can operate off a solar supply, consult Centurion Systems for assistance

2. Can increase battery capacity for longer standby times

3. Requires infrared safety beams to be installed





RDO II GARAGE DOOR OPERATOR

This is the way we like to roll! With our **RDO II**, that is. A 24V DC high-torque motor, operating so quietly you'll need to look at the door just to be sure that it's moving. With an **RDO II** not even power outages can close you down. Its reliable battery backup will keep you coming and going like there's no tomorrow.

All this opening and closing had better be safe and secure. Utilising CENTURION's ultra-secure code-hopping remote controls, and coupled with its anti-crushing sensitivity, the **RDO II** has you covered.



MAIN FEATURES

Mechanical Features

- Battery backup
- Whisper-quiet operation
- Strong lifting capability
- Quick and easy installation
- Anti-crushing protection for greater safety
- Convenient manual override

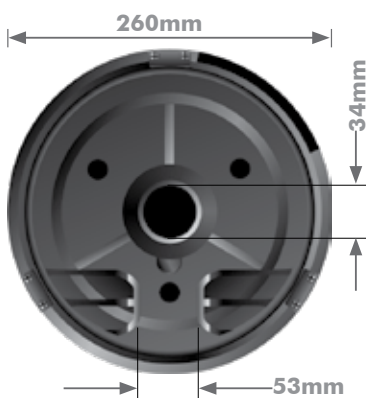
Electronic Features

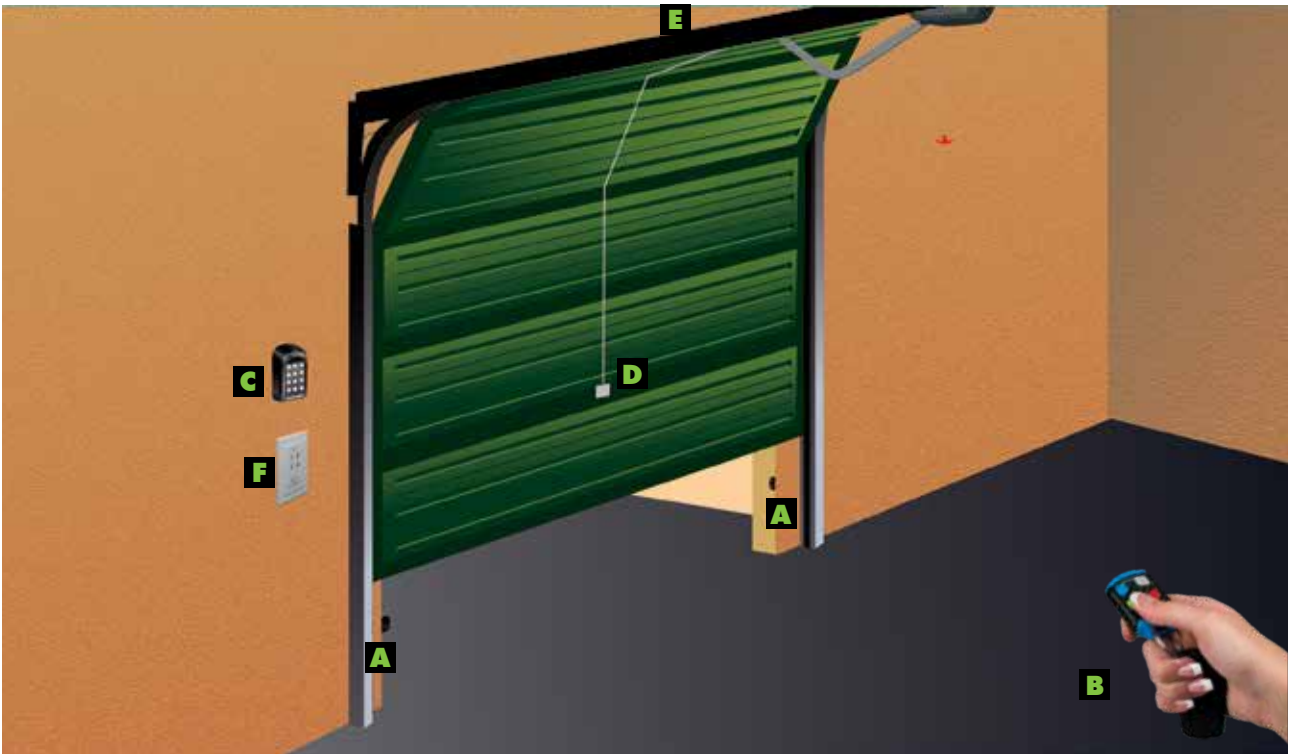
- Onboard CENTURION code-hopping multichannel receiver with selective add and delete
- Activate up to four different features
 - Open and close the garage door
 - Switch the Courtesy Light on and off
 - Electronically lock the system for greater security
 - Override the Autoclose facility
- Wall-mounted controller with Courtesy Light – bathes entrance in light whenever **RDO II** is activated and remains on for a pre-set period of time afterwards

TECHNICAL SPECIFICATIONS

Technical Data	RDO II
Input voltage ¹	220V AC +/-10% @ 50Hz
Motor voltage ²	24V DC
Motor power supply	Battery driven (standard capacity - 1.2Ah)
Battery charger	Plug-In Charger - 250mA @ 13.8V +/- 1%
Current consumption (mains supply)	60mA
Current consumption (motor rated / peak load)	3/10 A
Current consumption (quiescent load)	50mA
Opening speed	100 - 150 mm/sec
Maximum daily cycles	50 cycles/day
Design Life	30 000 cycles
Operations in standby with 1.2Ah battery	40 cycles
Collision sensing	electronic
Operating temperature	-15°C to +50°C
Degree of protection	IP54
Controller incorporated	XTRAC Controller
Onboard receiver type	NOVA code-hopping onboard, multichannel
Receiver frequency	433 MHz
Receiver code storage capacity	22 Buttons
Mass of unit packed	7kg
Packing dimensions	Length: 330mm x Width: 288mm x Height: 180mm

1. Can operate off a solar supply, consult Centurion Systems for assistance
2. Can increase battery capacity for longer standby times





GARAGE DOOR OPERATOR ACCESSORIES



CENTURION INFRARED SAFETY BEAMS
Always recommended on any gate or garage automation installation to increase the safety of the automated system.



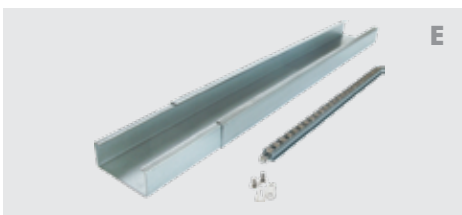
CENTURION NOVA TRANSMITTER
Incorporates ultra-secure code-hopping technology. Available in one-, two-, three- and four-button variants.



SMARTGUARD or SMARTGUARDAIR KEYPAD
Cost-effective and versatile wired or wireless keypad, allowing access for pedestrians.



EXTERNAL MANUAL OVERRIDE
Key-operated release for convenient manual override of door opener from the outside.



RAIL EXTENSION KIT
Available in 1000mm and 350mm lengths. Allows for increased garage door opening height. Converts sectional to a caravan-height door.



WIRELESS WALL SWITCH
The four-button Wireless Wall Switch can operate the door, turn on the light and activate Holiday Lockout all without running any unsightly wires

GARAGE DOOR OPERATOR KITS

SDO4 T10 SECTIONAL DOOR OPERATOR FULL KIT 1

Product Code: **SDO4T10C01**

- **1 x SDO4 T10 operator (head and drive unit):**
 - Mounting hardware **E**
 - 2 x 3.4Ah 24V DC battery supply **B**
 - 2 x Four-button CENTURION transmitters **A**
 - 1 x Charger **C**
- Sectional track chain **F1**

SDO4 T10 SECTIONAL DOOR OPERATOR FULL KIT 1

Product Code: **SDO4T10C02**

- **1 x SDO4 T10 operator (head and drive unit):**
 - Mounting hardware **E**
 - 2 x 3.4Ah 24V DC battery supply **B**
 - 2 x Four-button CENTURION transmitters **A**
 - 1 x Charger **C**
- Tip-up track chain **F2**

SDO4 T12 SECTIONAL DOOR OPERATOR FULL KIT 1

Product Code: **SDO4T12C01**

- **1 x SDO4 T12 operator (head and drive unit):**
 - Mounting hardware **E**
 - 2 x 3.4Ah 24V DC battery supply **C**
 - 2 x Four-button CENTURION transmitters **A**
 - 1 x Charger
- Sectional track chain **F1**
- 1 x Wall Switch **B**

SDO4 T12 SECTIONAL DOOR OPERATOR FULL KIT 1

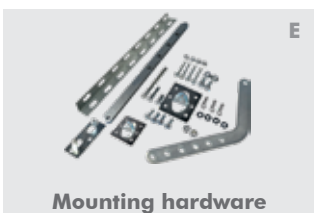
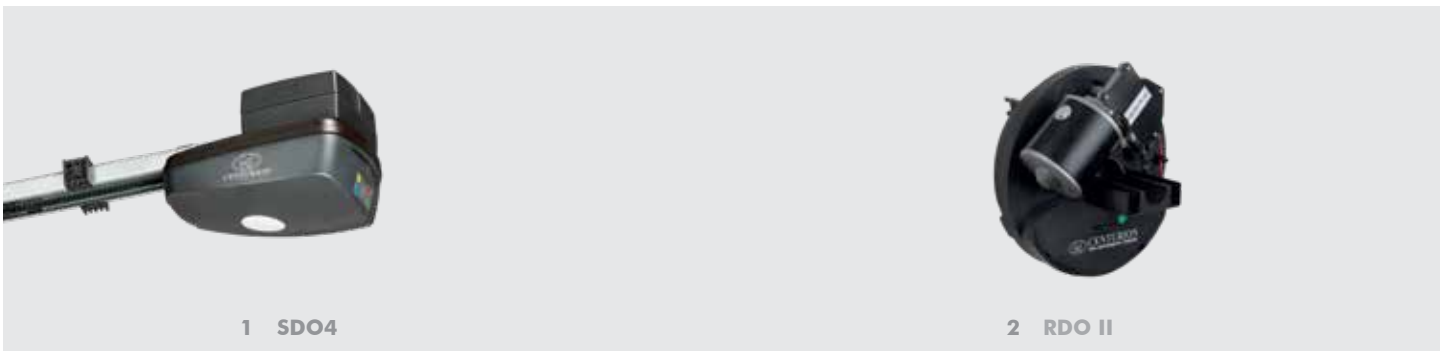
Product Code: **SDO4T12C02**

- **1 x SDO4 T12 operator (head and drive unit):**
 - Mounting hardware **E**
 - 2 x 3.4Ah 24V DC battery supply **C**
 - 2 x Four-button CENTURION transmitters **A**
 - 1 x Charger
- Tip-up track chain **F2**
- 1 x Wall Switch **B**

RDO II OPERATOR FULL KIT 2

Product Code: **RDO0001**

- **1 x RDO II operator:**
 - Controller **D**
 - 2 x Four-button CENTURION transmitters **A**
 - 2 x 1.2Ah batteries **C**
 - Weight bar **G**
 - Plug-in charger **H**







ROLLER-SHUTTER OPERATORS

The Centurion Systems industrial **RSO** range has been designed to safely automate extremely heavy roller-shutter doors such as entrances to factories and loading bays. There are four models available, each tailor-made to suit individual installation requirements.



ROLLER-SHUTTER OPERATOR QUICK SELECTION GUIDE

Whatever your industrial automation requirements, this quick selection guide will help you choose the best operator for the job. Our website also provides a useful calculator for calculating approximate door speed.



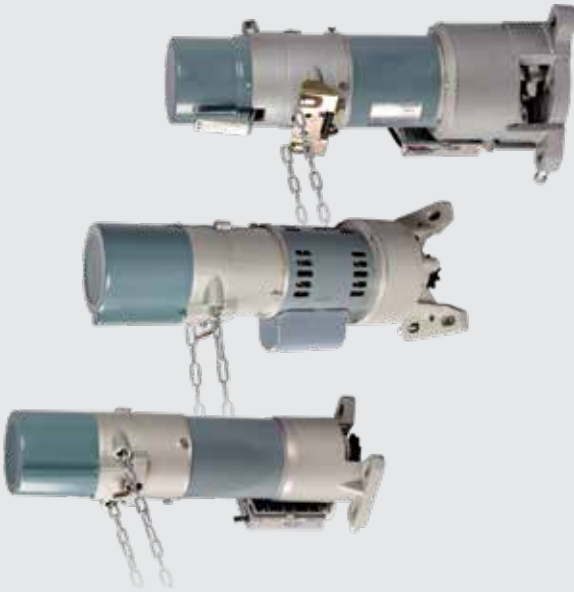
Technical Data	RSO5DC	RSO5R3P
Description	Full logic; battery backup	Basic; three-phase
Input voltage	90V - 240V AC	380V AC 3Ø
Shutter mass – maximum	500kg	500kg
Duty cycle	35%	30%
Daily operations – maximum ¹	350	320
Battery backup	√	-
Can connect ancillary equipment, e.g. Safety Beams, access control components, etc. ²	√	-
Time-barring and automatic activation	√	-
Onboard receiver	√	-

1. Over a 24 hour period
 2. For example, Safety Beams, Access Control Equipment



RSO5RE	RSO9
Basic; Endurance	Heavy duty
220V - 240V AC	380V AC 3Ø
500kg	900kg
40%	30%
430	320
-	-
-	-
-	-
-	-

RSO INDUSTRIAL ROLLER-SHUTTER OPERATORS



The Centurion Systems industrial **RSO** range has been designed to safely automate extremely heavy roller-shutter doors such as those at entrances to factories and loading bays. There are five models available, each tailor-made to suit individual installation requirements.

RSO5DC: Incorporates an intelligent LCD controller and reliable battery backup for complete power failure autonomy. It can lift shutters weighing up to 500kg.

RSO5R3P: A powerful 380V, three-phase operator capable of delivering greater starting thrust and also boasts an increased duty cycle, for shutters weighing up to 500kg.

RSO5RE: An endurance model ideal for high-volume automation of shutters weighing up to 500kg. The vastly improved duty cycle and high number of possible daily operations are made possible by a ventilated planetary gearbox.

RSO9: A heavy-duty model utilising a 380V, three-phase power supply enabling it to lift very heavy shutters weighing up to 900kg.



MAIN FEATURES

Mechanical Features

- Automate heavy roller-shutters; e.g. at entrances to factories, shops and warehouses
 - Rock-solid mounting system
 - Convenient manual operation
 - The **RSO5DC** model incorporates full battery backup and an LCD interface
 - Feature-rich and basic, cost-effective models available
 - Safe and reliable position control
 - Allows for the connection of safety devices and ancillary equipment ¹
 - Integrated ChronoGuard timer functionality (a world first) ¹
 - Onboard CENTURION code-hopping multichannel receiver with selective add and delete ¹
 - Intruder-detection Alarm Modes (a world first) ¹
1. **RSO5DC** only

TECHNICAL SPECIFICATIONS

Technical Data	RSO5DC	RSO5R3P	RSO5RE	RSO9
Input voltage	90V - 240V AC, 50Hz	380V AC 3Ø, 50Hz	220V - 240V AC, 50Hz	380V AC 3Ø, 50Hz
Shutter door mass	500kg	500kg	500kg	900kg
Motor voltage	24V DC	380V 3Ø	230V AC	380V 3Ø
Power	220W	360W	375W	550W
Current	4.6A 1Ø	1.5 - 2A 3Ø	3AØ	2.2A 3Ø
Duty cycle	35%	30%	40%	30%
Temperature protector	70°C	70°C	125°C	115°C
Output shaft rotation	50rpm	35rpm	28rpm	17rpm
Gear ratio	55:1	55:1	64:1	105:1
Gear transmission	Double-row oblique gear	Single-row oblique gear	Double-layer planetary gear	Double-layer oblique gear
Material of gearbox	Aluminium	Aluminium	Cast-iron	Aluminium
Drive type	Chain-driven	Chain-driven	Chain-driven	Chain-driven
Sprocket	9T	9T	9T	10T
Chain	5/8 inch	5/8 inch	5/8 inch	1 inch
Length	450mm	500mm	530mm	600mm
Net weight	9.64kg	12.8kg	20.2kg	22.1kg
Gross weight	10.4kg	13.5kg	21kg	23.0kg
Packing dimensions	Length 265mm x Width: 210mm x Height: 570mm	Length 265mm x Width: 210mm x Height: 570mm	Length 260mm x Width: 200mm x Height: 665mm	Length 345mm x Width: 285mm x Height: 600mm

RSO5R3P



RSO5RE



RSO5DC



RSO9

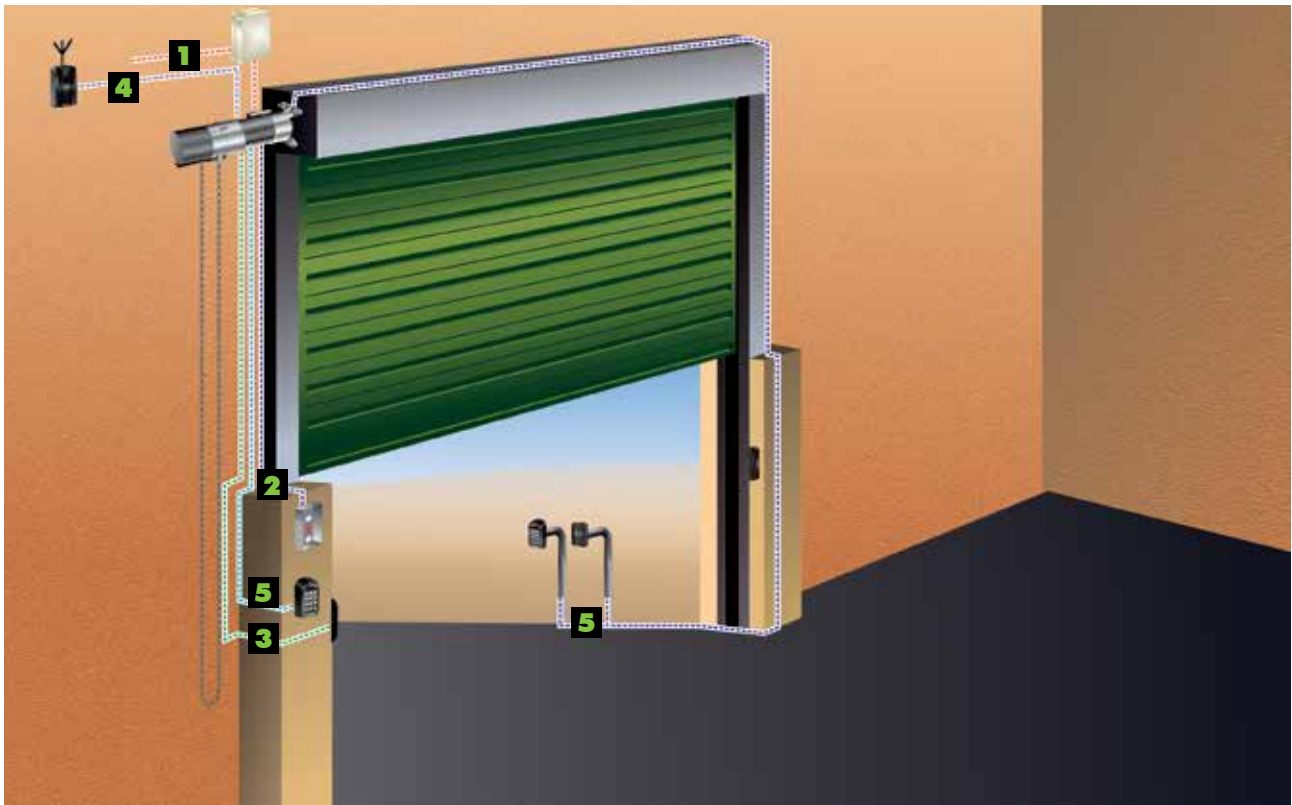


TECHNICAL SPECIFICATIONS

	RSO5DC	RSO5R3P	RSO5RE	RSO9
Maximum shutter weight	500kg	500kg	500kg	900kg
Battery backup	√	-	-	-
Integrated Wall switch	Uses D-Series controller	√	√	√
Manual override facility	√	√	√	√
Hand chain	√	√	√	√
Safety beam input	√	-	-	-
Input for ancillary devices, e.g. keypads, pushbuttons, etc.	√	-	-	-
Pillar light input	√	-	-	-
Autoclose	√	-	-	-
Onboard receiver	√	-	-	-
ChronoGuard timer	√	-	-	-
Modes of operation	Standard, Condo, PIRAC, PLC, Deadman, Reversing	NA	NA	NA
Local test button	√	-	-	-
Position control	2 x N/O Micro switches	2 x N/C Micro switches	2 x N/C Micro switches	2 x N/C Micro switches

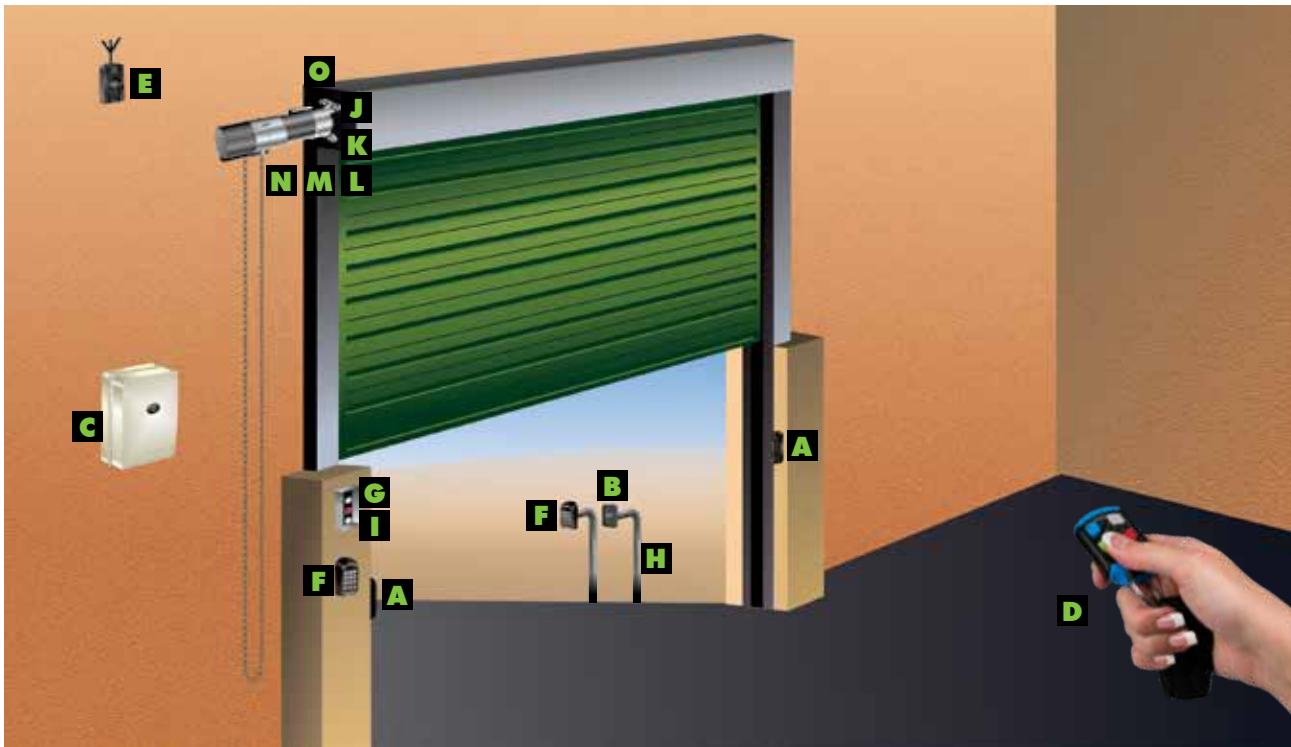
RSO KITS

Kit Components	RSO5DC	RSO5R3P	RSO5RE	RSO9
Product code	RSO5DC_FKIT	RSO5R3P_FKIT	RSO5RE_FKIT	RSO90_FKIT
Operator	√	√	√	√
Sprocket	√	√	√	√
Drive chain	√	√	√	√
Taper bush	√	√	√	√
Integrated wall switch	Intelligent LCD controller	√	√	√
Foundation plate	√	√	√	√
Backup battery and wallbox	√	-	-	-



CABLING REQUIREMENTS

1. 220V - 240V AC mains cable (3 core LNE 1.5mm² SWA)¹
 2. Cable for Wall Switch (supplied)
 3. Optional but recommended infrared Safety Beams (3 core 0.5mm² multi-stranded)²
 4. Radio receiver cable (3 core 0.5mm² multi-stranded)²
 5. Optional keypad or proximity access control reader (3 core 0.5mm² multi-stranded)²
1. 380V AC 3Ø for three-phase models
 2. Applies to **RSO5DC** only



ROLLER-SHUTTER OPERATORS ACCESSORIES



CENTURION INFRARED SAFETY BEAMS

Always recommended on any automation installation to increase the safety of the automated system.



SOLO/LATTICE PROXIMITY ACCESS CONTROL

Proximity reader for allowing access for both pedestrians and vehicles.



RSO WALLBOX

A fully weatherproof wall-mounted enclosure for your RSO5DC operator's electronics, providing a neat and convenient central point of operation



CENTURION NOVA TRANSMITTER

Incorporates ultra-secure code-hopping technology. Available in one-, two-, three- and four-button variants.



G-ULTRA GSM DEVICE

The ultimate new GSM solution for monitoring and activating electrical appliances via your mobile phone.



SMARTGUARD or SMARTGUARDAIR KEYPAD

Cost-effective and versatile wired or wireless keypad, allowing access for pedestrians.

ROLLER-SHUTTER OPERATORS



G

LOCKABLE BOX FOR WALL SWITCH

A stylish, lockable stainless steel enclosure for the **RSO** Wall Switch to increase the security of the system by preventing unauthorised use of the pushbutton controls.



H

GOOSENECK

Steel pole for mounting intercom gate station or access control.



I

MANUAL PUSHBUTTON

Industrial-rated switch, typically to allow a guard to manually activate the barrier.



J

RSO DRIVE CHAIN

Drive chain with a pitch of 5/8th of an inch for use with the **RSO5R**, **RSO5RE**, **RSO5R3P** and **RSO5DC** models.



K

RSO9 DRIVE CHAIN

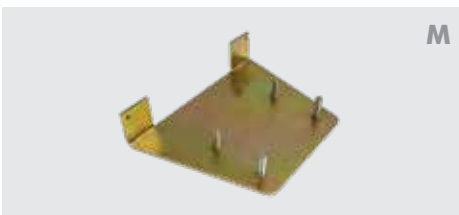
Drive chain with a pitch of 1 inch for use with the **RSO9** model.



L

RSO9 MOUNTING PLATE

An exceptionally hardy foundation plate used for mounting the **RSO9** industrial roller-shutter operator.



M

MOUNTING PLATE

A sturdy foundation plate used for mounting the **RSO5R**, **RSO5DC**, **RSO5R3P** and **RSO5RE** models.



N

RSO TAPER LOCK BUSH

The taper lock bush is used to secure the **RSO** sprocket to the curtain's shaft. Available in two sizes to suit the majority of industrial roller-shutters.



O

Fits onto the door shaft and engages with the **RSO** pinion to drive the curtain. Available for the **RSO5R**, **RSO5DC**, **RSO5R3P** and **RSO5RE** models as well as for the **RSO9**

ROLLER-SHUTTER OPERATOR KITS

RSO5R3P 500KG OPERATOR KIT

1

Product Code: RSO5R3P_FKIT

- **1 x RSO5R3P operator including:**
 - 1 x Sprocket **A**
 - 1 x Drive chain **B**
 - 1 x RSO lock taper bush **C**
 - 1 x Wall Switch **D**
- 1 x Mounting plate **E**

RSO5RE 500KG OPERATOR KIT

2

Product Code: RSO5RE_FKIT

- **1 x RSO5RE operator including:**
 - 1 x Sprocket **A**
 - 1 x Drive chain **B**
 - 1 x RSO lock taper bush **C**
 - 1 x Wall Switch **D**
- 1 x Mounting plate **E**

RSO9 900KG OPERATOR KIT

3

Product Code: RSO90_FKIT

- **1 x RSO9 operator including:**
 - 1 x Sprocket **A**
 - 1 x Drive chain **B**
 - 1 x RSO lock taper bush **C**
 - 1 x Wall Switch **D**
- 1 x Mounting plate **E**

RSO5DC 500KG OPERATOR KIT

4

Product Code: RSO5DCKIT

- **1 x RSO5DC operator including:**
 - 1 x Sprocket **A**
 - 1 x Drive chain **B**
 - 1 x RSO lock taper bush **C**
 - 1 x Wall Switch **D**
- **1 x Wall box including G**
 - 1 x 7Ah battery **H**
 - 1 x Controller **J**
 - 1 x 2A 24V charger **I**
- 1 x Mounting plate **E**



1 RSO5RE



2 RSO5R3P



3 RSO5DC



4 RSO9



A

Sprocket assembly



B

Drive chain



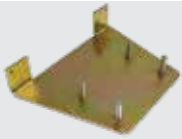
C

RSO lock taper bush



D

Wall Switch



E

Mounting plate



F

RSO9 mounting plate



G

Wallbox



H

7Ah Battery



I

2A 24V charger



J

RSO5DC controller



OUR DIGITAL AND ONLINE BRAND PRESENCE AND SUPPORT

WEBSITE

- Landing pages in French, Spanish, Portuguese and Thai
- Access to product documentation, comparison charts and diagnostic guides
- Device software
- G-WEB PLUS interface for administering CENTURION GSM devices
- Massive library of useful articles
- <http://www.centsys.com>

SUPPORT

- Dedicated technicians, unrivalled backup support and friendly and efficient sales personnel
- Technical support in all official languages, as well as French, Spanish and Portuguese
- Call centre operates 7am to 6pm (GMT +2), Monday to Friday and 8am to 4:30pm (GMT +2) on Saturdays

SOCIAL MEDIA

- “Like” our Facebook page (www.facebook.com/centurionsystems) and follow us on Twitter (@askCenturion) for all the exciting company news, launches, roadshows, competitions as well as technical and sales support
- Subscribe to our YouTube channel for access to an extensive library of how-to videos and tutorials
- Interesting and innovative installations from around the world, including unusual uses of CENTURION products
- Are you on our YouTube channel? Showcase your installations!

NEWSLETTER

- Fantastic way of staying abreast of company news, developments, events and functions, new products and enhancements to existing range



INDUSTRY-LEADING PRODUCT TECHNOLOGIES

TECHNOLOGY

CENTURION products feature a host of industry-leading technologies, all conducive to greater security, greater convenience and superior functionality. Just some of the advanced technologies found in our products are:

- **ChronoGuard** – a world-first timer technology that allows the user to set a myriad Auto-activation and Time-barring functions using the onboard Real Time Clock and Calendar, which tracks the date up to the year 2099
- **Intruder-detection Alarms** – The novel feature-set – consisting of the Beam Alarm and Ambush Alarm - ups the security ante even further by providing an audible output when the infrared gate safety beams are obstructed, or remain interrupted for a pre-defined period of time
- **Code-hopping technology** – CENTURION remote controls are equipped with code-hopping encoders which process the outgoing transmission through a sophisticated encryption engine, making copying and cloning virtually impossible. No two transmitted codes will ever be alike

- **Onboard diagnostics** – Our D-Series range provides both audible and visual feedback of the gate status at any given time. In addition, a designated diagnostic screen makes fault-finding a breeze
- **High-volume capability** – CENTURION operators are designed to work hard, and work hard they do – with some operators such as the SECTOR II traffic barrier being capable of performing in excess of 3000 operations every single day



Connect with us on

 facebook.com/CenturionSystems

 YouTube.com/CenturionSystems

 Twitter@askCenturion

 Instagram@centurion.systems

Newsletter subscription: www.centsys.com/Subscribe

www.centsys.com

**Sharecall 0860 CENTURION (0860 236 887)
+27 11 699 2400**

**Sharecall Technical Support 0861 003 123
+27 11 699 2481
from 07h00 to 18h00 (GMT+2)**

**Sharecall numbers applicable when dialled
from within South Africa only**

The products depicted are for illustrative purposes only. Actual products may differ.

E&OE. Centurion Systems (Pty) Ltd. reserves the right to change any product without prior notice.
All product and brand names in this document that are accompanied by the ® symbol are registered trademarks in South Africa and/or other countries, in favour of Centurion Systems (Pty) Ltd, South Africa. The Centurion Systems logo, all product and brand names in this document that are accompanied by the TM symbol are trademarks of Centurion Systems (Pty) Ltd, in South Africa and other territories; all rights are reserved.

We invite you to contact us for further details.